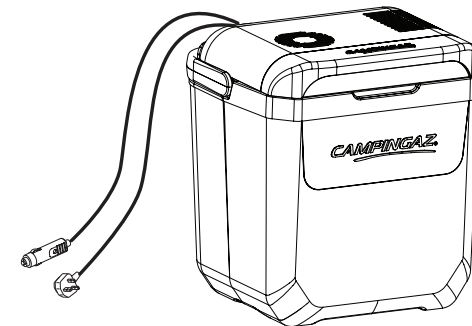


Instruction Manual

Powerbox® 24L 12V/230V



Then connect the end of the cable to the 230 V~ mains power supply (drawing B5).

5. OPERATION

- Suitable for camping use.
- This appliance is intended to be used in household and similar applications.

The thermo-electric cooling system starts working as soon as it is connected to a 12 V \pm (or 230 V~ for the models equipped with a built-in transformer). To stop the cooling system: disconnect the plug from the power supply.

5.1. Pre-conditioning

For optimum results, place previously cooled foods and drinks in the Powerbox® thermo-electric cooler.

They will stay cool longer.

Important: In order to improve the thermal performance when travelling, when camping, at the hotel or at home, before leaving, we strongly recommend that you cool your cooler by plugging it to a power source a few hours before leaving.

Take the food out of the fridge and fill the cooler at the last minute.

5.2. Battery control

The battery control system constantly monitors the car battery power, thus protecting your battery and your car at all times.

1. Start your car engine before plugging the cooler to the car socket.
2. After the car engine stops: The system checks the voltage of your battery and automatically switches off the thermo-electric system of your cooler if the voltage of your battery falls below 11.5 V, and the red LED turns to red (Drawing E2). Depending on the battery type and its capacity to keep charge, the switch off time of the thermo-electric cooler can occur in a matter of minutes. The thermo-electric system of your cooler will only start when you restart your car.
3. In case the battery voltage of your vehicle reaches the cutoff tension : unplug the cooler plug from the vehicle DC power source socket, start the vehicle and wait several minutes before plugging the cooler again. In 230 V ~ mode, if you use a transformer other than the CAMPINGGAZ® 230 V ~/12 V Euro Transformer, the battery control system may prevent the cooler from working. This is due to mains voltage variations (230 V \pm 10%) or to inadequate power from your transformer. Change to the CAMPINGGAZ® 230 V ~/ 12 V Euro Transformer fitted with the Autoswitch system and your Campinggaz Cooler will work correctly.

5.3. Energy saving

To minimize the energy consumption of your cooler when it is working:

- avoid exposing your cooler to direct sunlight.
- avoid leaving the lid open.

In order to maintain optimum performance of your cooler, limit the number of times you open the lid and for how long.

The cooler is designed to save energy and automatically choose the right mode to provide the best and most energy efficient performance by switching between three modes :

- when the temperature is too high inside (E.G : cooler stored in a hot area, lid opening cycles, first use...) the cooler is in "max" mode to cool down the temperature.

-when the temperature has decreased to an acceptable level for fresh food storage, the cooler automatically switches to "Eco" mode to keep the temperature cool inside.

- when the ambient temperature is getting cold, the cooler switches to "surveillance" mode: the fan and cooling system stop. Ensure that the coolbox is not packed too full and that the air can circulate adequately between the coolbox content

6. MAINTENANCE AND CARE

Before cleaning your cooler, make sure that it is disconnected from any electrical power supply. When cleaning the cooling box please refrain from using a harsh cleaning agent or solvent. The best way to clean the box is with a damp cloth, possibly also using some washing up liquid.

If the box is not going to be used for a lengthy period it should be dried beforehand. It is also important to provide good ventilation, in order to avoid the appearance of mould.

It is recommended to leave the lid open when the appliance is not used for a long period.

You can leave the Powerbox® thermo-electric cooler running for a few days, but it is necessary regularly to unplug it in order to defrost it and to empty the condensation water, if necessary.

7. TROUBLESHOOTING GUIDE

If you have a problem with your thermo-electric cooler, we advise you to read the following with care.

7.1. Cable problem

If the power supply cable is damaged, it must be replaced by the Manufacturer or its After-Sales Service or a similarly qualified person in order to avoid Hazards. See separate spreadsheet.

7.2 Fuse replacement for the UK plug.

After the disconnection of your device from the mains, check that the plug fuse has not blown by unscrewing the plug.

7.3. Connection problem

Your cooler and the outside rotor of the fan are not running: Check the car lighter socket: in most vehicles the ignition must be turned on for the lighter to work. If the ignition is turned on but the cooler is not operating, remove the plug from the socket immediately, and make the following checks:

- Cigarette lighter socket: when the cigarette lighter is used frequently, it can be soiled by tobacco, causing a bad electric contact. Clean it with a non-metallic brush.
- If the cooler plug heats abnormally in the cigarette lighter, clean the socket or check to make sure the plug is assembled correctly.
- 12 V \pm connection: connector fuse: the connector of your 12 V \pm power supply cable is protected by a 7 A fuse. Check that the fuse has not blown by unscrewing the 12 V \pm connector of the cable (Drawing C1).

7.4. Cooling problem

- Your cooler is connected correctly to an electrical power supply, but it is not cooling properly and the outside rotor of the fan is not running: The fan motor is probably defective, contact After Sales Service.
- Your cooler is not cooling correctly and the outside rotor of the fan is running. Open the lid to check the operation of the inside fan:
 - If the inside fan is not running, the fan motor is probably defective, contact After Sales Service.
 - If the inside fan is running, the Peltier system is probably defective, contact After Sales Service.

9. ELECTRICAL AND ELECTRONIC WASTE



This symbol means that the appliance's electrical system must be disposed of selectively. At the end of its life, the appliance's electrical system must be scrapped correctly. The electrical system must not be disposed of with unsorted municipal waste. Selective collection of waste promotes reuse, recycling or other forms of recovery of recyclable materials contained in this waste.

Take the appliance's electrical system to a waste recovery centre designed for the purpose (waste collection point). Check with your local authorities. Never dispose of in nature, do not incinerate: the presence of certain hazardous substances in electrical and electronic equipment can be harmful to the environment, and have a potential effect on human health.

10. TECHNICAL CHARACTERISTICS

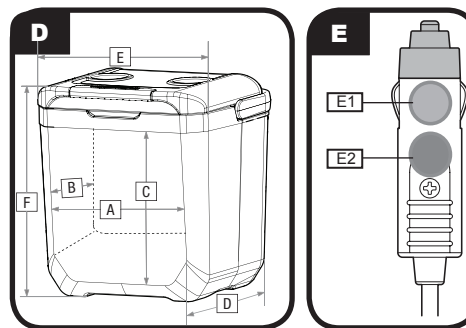
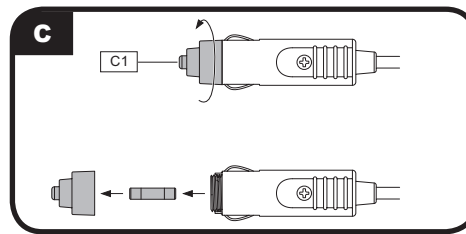
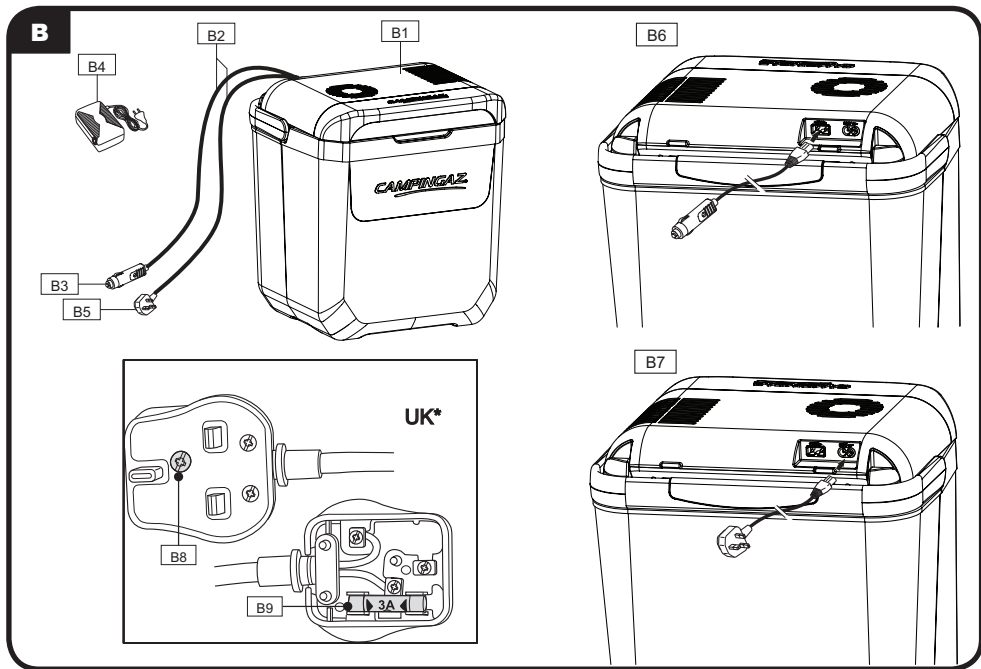
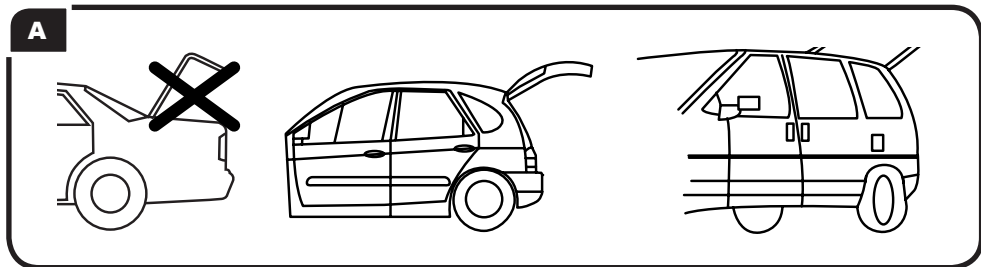
Reference	Powerbox® 24L – 2000031640 - 12 V \pm
Capacity	24 L
Voltage	12 V \pm
Current	3.29 A
Power	39.6 W
Maximum cooling capacity at 32°C	18 °C (+/- 1 °C)
Body/lid insulation	PU
Peltier system cooling unit	•
Built-in transformer 230V~/12V \pm :	•
Dimensions (cm) (drawing K)	
A	32.8
B	24.3
C	31
D	32.3
E	40.8
F	42.3

APPLICATION DES GAZ

219, Route de Brignais - BP 55
69563 Saint Genis Laval - France
Tel : 33 (0)4 78 86 88 94 / Fax : 33 (0)4 78 86 88 38

www.campinggaz.com

Powerbox® 24L 12V/230V



Never connect your icebox to the 230 V~ socket and the 12 V~ socket simultaneously.

Avoid exposing your thermo-electric cooler to damp weather conditions i.e. rain and snow.

Water ingress into the power supply, fan motor or other electrical parts may result in fire, causing personal injury and/or component failure.

Never add ice into the thermo-electric cooler.

The melting ice could damage the fan motor and freeze on the radiator fins.

2. WARNING

The Powerbox® cooler is a thermo-electric cooler and not a refrigerator, which is designed to be used in the climate class "N" : a range of ambient temperature from 16°C to 32°C.

The temperature inside the cooler may vary depending on environmental factors such as the location of the product during use, the ambient temperature and the frequency of door opening.

At an ambient temperature below 20 °C, the cooling performance is not sufficient to keep products frozen or to make ice. As a consequence the cooler must not be considered as a freezer for frozen food conservation.

For the food to be stored in the cooler, do not exceed the storage time recommended by the food manufacturer.

Depending on the humidity of the air, the type of food stored and the duration of use, a varying amount of water may condense inside the cooler.

Do not store explosive substances such as aerosol cans with a flammable propellant in this appliance.

3. INSTALLATION

This cooler generates heat. Therefore, it requires good air circulation to operate properly.

Never prevent the circulation of air generated by the outside and inside rotors of the cooler's fan.

Avoid placing the working cooler in the car boot, unless you have an MPV or a station wagon (Drawing A). When using it in a parked car, leave the windows slightly open.

Install the cooler in a shadowed place for better performances.

4. CONNECTION

4.1. 12 V~ connection

Plug the flat rectangular male plug belonging to the 12 V DC car plug in its dedicated socket at the back of the lid (drawing B6). Then connect the cable end (drawing B3) to the cigarette lighter or any other 12 V~ supply (drawing B4).

4.2. 24 V~ connection

If you have a 24 V battery (lorries, some 4WD vehicles), connect the end of the cable (Drawing B3) to a 24 V~/12 V~ converter, sold separately.

4.3. 230 V~ connection (12 V~/230 V~ continental model with built-in transformer)

The Powerbox® has a built-in 230 V~/12 V~ transformer so that you can connect your cooler directly to the main power supply. Plug the flat rectangular male plug belonging to the 230V~ wall plug in its dedicated socket at the back of the lid (drawing B7).

NOTE: Unless otherwise specified, the following generic terms "appliance / unit / product / equipment / device" used in this instruction manual all refer to the product "Powerbox® 24L".

Thank you for choosing the Powerbox® thermo-electric cooler. We hope that you will be completely satisfied with the Powerbox® thermo-electric cooler. After you have finished reading the instructions, please keep this manual in a safe place for future reference.

1. SAFETY

Carefully read the instruction manual before using the appliance. This appliance can be used by children aged from 8 years and above and persons with reduced physical, sensory or mental capabilities or lack of experience and knowledge if they have been given supervision or instruction concerning use of the appliance in a safe way and understand the hazards involved. Children shall not play with the appliance. Cleaning and user maintenance shall not be made by children without supervision.

Never connect your cooler directly to a 230 V~ power source via the 12 V~ socket.

Never pour liquids in the vents or obstruct the vents of the cooler (Drawing B1).